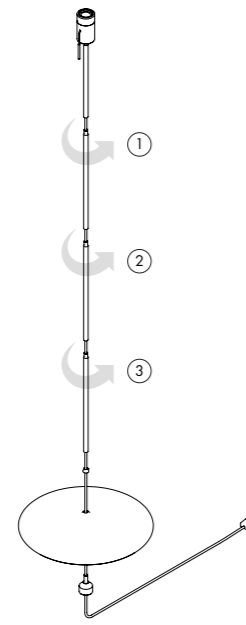


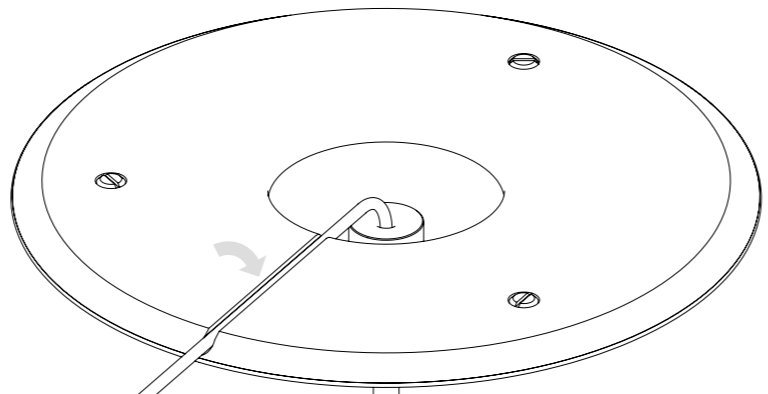
Find assembly videos by using the QR code or by going online at our website www.vitacopenhagen.com

1

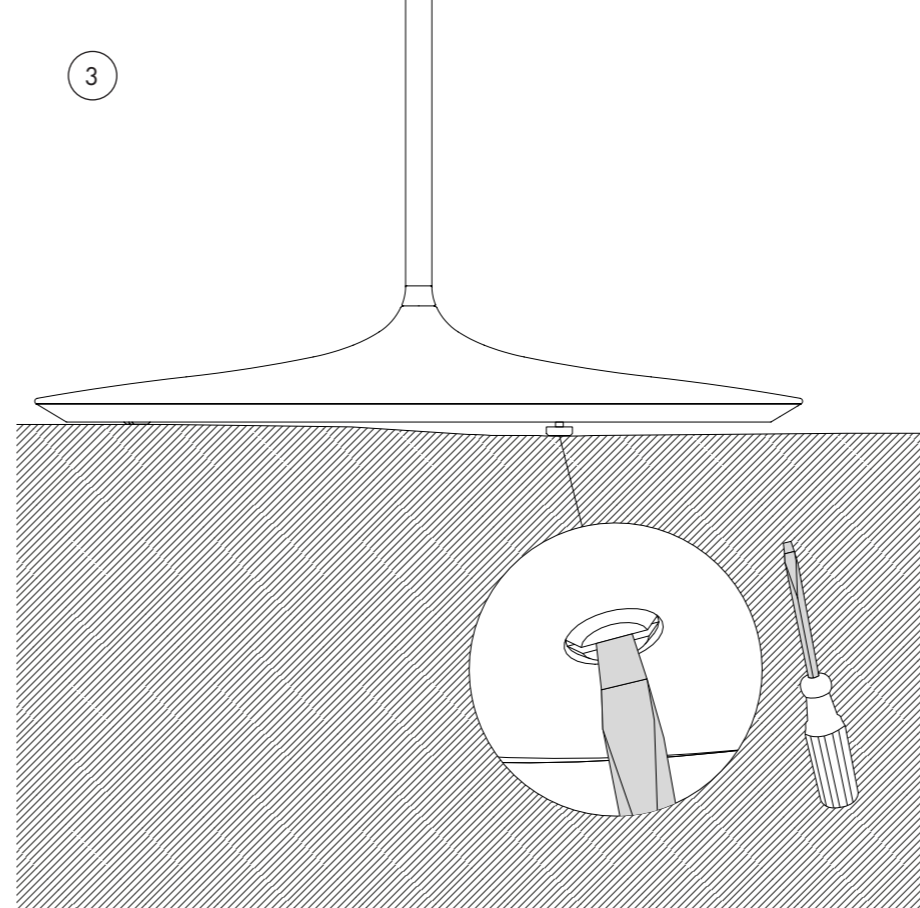


If the external flexible cable or cord of this luminaire is damaged, it shall be exclusively replaced by the manufacturer or a similar qualified person, in order to prevent any possible hazards.

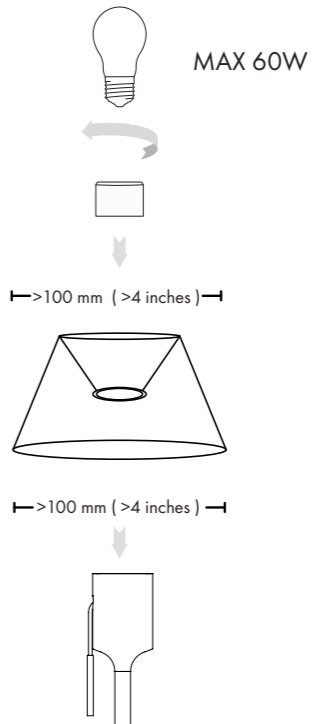
2



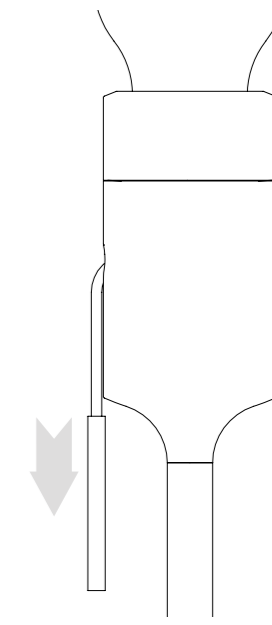
3



4



5



Follow us on social media



#vitacopenhagen



VITA
COPENHAGEN

www.vitacopenhagen.com

170024

! IMPORTANT !

VITA stand safety instructions
(Read and keep these instructions for future reference)

Product name: Stand
Model no.: 4037, 4038
Rating parameter: 120V, 60HZ, AC ONLY
Lamp type: E26 Type A / 60W MAX

NOTE:

THIS INSTRUCTION SHEET COVERS A VARIETY OF STANDS (DIFFERENT COLORS), BUT WITH THE SAME APPLICATIONS. DO NOT CONNECT YOUR STAND TO A POWER SOURCE UNTIL ALL STAND- AND LAMP ASSEMBLY AND BULB INSTALLATION IS COMPLETE.

NOTICE:

YOU ARE ADVISED TO CONTACT A QUALIFIED ELECTRICIAN FOR THESE PROCEDURES.

THE SAFETY PROCEDURES

1. Remove the packaging carefully without the use of sharp objects. Assemble the tubes, ensure that all tubes are correctly assembled, then place the stand firmly on the floor before moving onto next procedure.
2. Unscrew the ring of the socket. Assemble the suitable lampshade (not included) and put it on the socket and screw the ring back on until lampshade is completely fastened.
3. Firmly screw an E26 light bulb (MAX 60W) into the socket. Do NOT put your fingers into the socket!
4. Insert the plug into a suitable outlet and turn on the power supply.
5. Switch to on.
6. Always disconnect the power-supply before cleaning, changing of light bulbs or repair of the stand. The latter, should always be done by a qualified electrician.
7. Let the light bulb cool off sufficiently before changing the bulb.
8. Keep the stand away from any flammables, or objects that cannot handle heat.
9. Please always place the stand on a level surface not more than 8° angle.
10. The stand is for indoor use ONLY.
11. If the stand in any way malfunctions, to avoid accidents or mishandling of the stand, please always contact VITA Service Center or call a qualified electrician.
12. Only use the stand, where these same official electrical- and technical parameters exist!
13. Do NOT touch the light bulb immediately after the light is turned off. Be aware of possible scalding!
14. The stand is NOT a childrens toy and should not be used in any other manner than described above.
15. The minimum diameter of open area (top & bottom) should NOT be less than 100MM (4 inches); Lamp-to-shade spacing must be over 3-1/4 inches (63.5mm); Lamp Centerline Length must over 2-1/2 inches (82.5mm).
16. The weight of lamp shade should NOT exceed 1.1 KGS (2-1/2LBS).

NOTE: DO NOT try to repair the product if the cable, socket or the lampshade is in any way broken or not as expected, such tasks are only intended for qualified electricians!



Champagne assembly guide



VITA
COPENHAGEN