

NYRA 42 CHANDELIER

VISUAL COMFORT & CO.

PRODUCT FEATURES

- From the brand formerly known as Tech Lighting
- The Nyra Collection is a stunning collection inspired by the geometric nature of a flower bud
- Offered in modern finishes.
- Smooth panels of light guide technology produce an ample amount of general illumination
- Includes (4) 12" and (2) 6" rigid stems in coordinating finish



Nightshade Black



Nightshade Black

Plated Brass

LAMPING

Includes 80.8 watts, 6806 total delivered lumens, 3000K or 3500K LED modules. Dimmable with most LED compatible ELV and Triac dimmers. Ships with (4) 12" and (2) 6" rigid stems in coordinating finish. Can be installed on a sloped ceiling up to 20°. 120V-277V.

ORDERING INFORMATION

700NYR	SHAPE OR SIZE	FINISH	LAMP
	42" DIAMETER 42	B NIGHTSHADE BLACK	-LED930 INTEGRATED LED 90 CRI 3000K 120V-277V UNV
		BR PLATED BRASS	-LED935 INTEGRATED LED 90 CRI 3500K 120V-277V UNV

700NYR _____

JOB NAME _____

NOTES _____

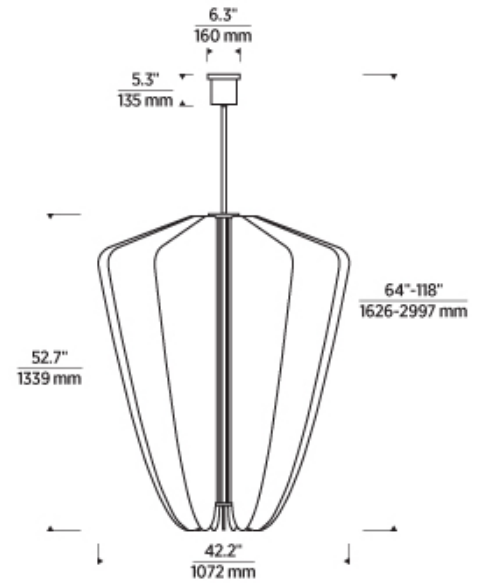


NYRA 42 CHANDELIER

VISUAL COMFORT & Co.

SPECIFICATIONS

PRIMARY MATERIAL	Aluminum
SHADE MATERIAL	Acrylic
NET WEIGHT	85 lbs
HEIGHT	52.7in
WIDTH	42.2in
LENGTH	42.2in
UP LIGHT / DOWN LIGHT / BOTH?	
WET LISTED	
DAMP LISTED	
DRY LISTED	
MIN. HANGING HEIGHT	64in
MAX HANGING HEIGHT	118in
TOTAL CORD LENGTH	
TOTAL STEM LENGTH	Up to 60in
STEM QTY	6
SLOPED CEILING ADAPTABLE?	Yes 20° Max
GENERAL LISTING	ETL Listed
INCLUDES	



LAMPING SPECIFICATIONS

	LED LAMP	INTEGRATED LED	NON LED	NO LAMP
DELIVERED LUMENS		6806		
WATTS		80.8		
MAX WATTAGE PER BULB		80.8W		
		Universal 120V-277V ELV, TRIAC		
CCT		3000K 3500K		
CRI		90 CRI		
LED LIFETIME				
L70		>50000		
AVERAGE BULB HOURS				
FIELD SERVICEABLE LED				
LAMP BASE		Integrated LED		
LAMP SHAPE		Integrated LED		
LAMP INCLUDED?		True		
WARRANTY**		5 Years		

* Dimming information available at www.techlighting.com/Downloads#dimming

** Visit techlighting.com for specific warranty limitations and details.

T20 / T24 / JA8 INFORMATION

	Integrated LED	Replacement LED Lamp	No Lamp *
This product can be used to comply with California Building Energy Efficiency Standards 2016 Title 24 Part 6 / JA8.	Yes		
This product can be used to comply with California Appliance Efficiency Standards 2016 Title 20 and may be shipped to and sold in California.	N/A		

* If a light fixture or component does not include a lamp or light source, it is the responsibility of the customer to select a lamp that meets the T24 and T20 requirements.

