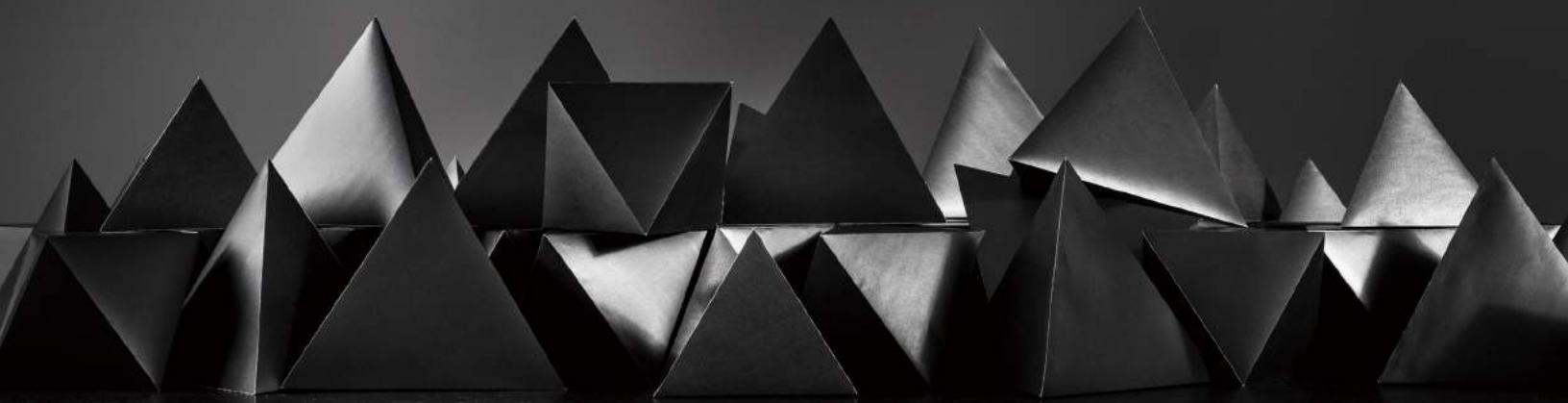


SEEDDESIGN

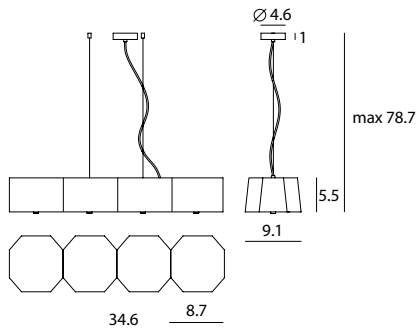


ZHE P / 1

© 2016 SEED LIGHTING DESIGN CO., LTD.

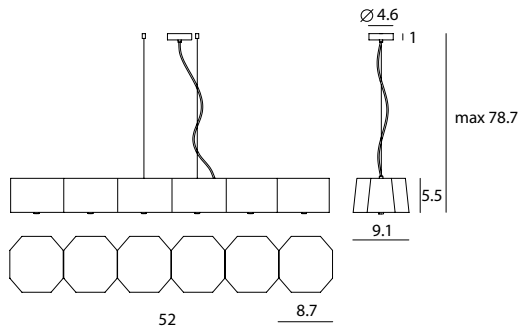
ZHE P 柘

ZHE is inspired by a wood from the Orient that is hard as rock. The metal lampshade is meticulously and deliberately hand welded together to resemble a cluster or rocks. Look closely and notice how each metal plate is a bit asymmetrical yet they all fit seamlessly together. Wooden stoppers under each frosted diffuser not only introduce warm elements of the wood, but functionally they soften up the overall light source. ZHE exemplifies subtle illumination in a grand scale.



Zhe Pendant 4
 SQ-2322MPL4
 E26 4 x Max 100W
 Materials : steel, glass, beech
 Color : matt black / matt white

Canopy : A
 Back Plate : A



Zhe Pendant 6
 SQ-2322MPL6
 E26 6 x Max 100W
 Materials : steel, glass, beech
 Color : matt black / matt white

Canopy : A
 Back Plate : A

