

SAFETY INFORMATION

Please read and understand this entire manual before attempting to assemble, install or operate the product.

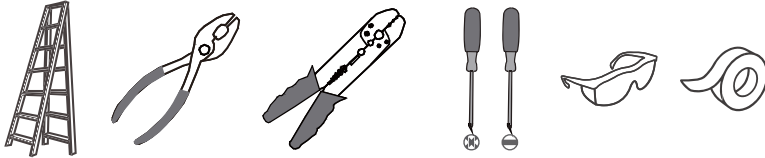
WARNING

- RISK OF ELECTRIC SHOCK - Before beginning installation, turn off electricity at the circuit breaker box or the main fuse box.

CAUTION

- For your safety, read instructions completely before beginning installation.
- If in doubt about electrical installation, consult a licensed electrician.

TOOLS REQUIRED



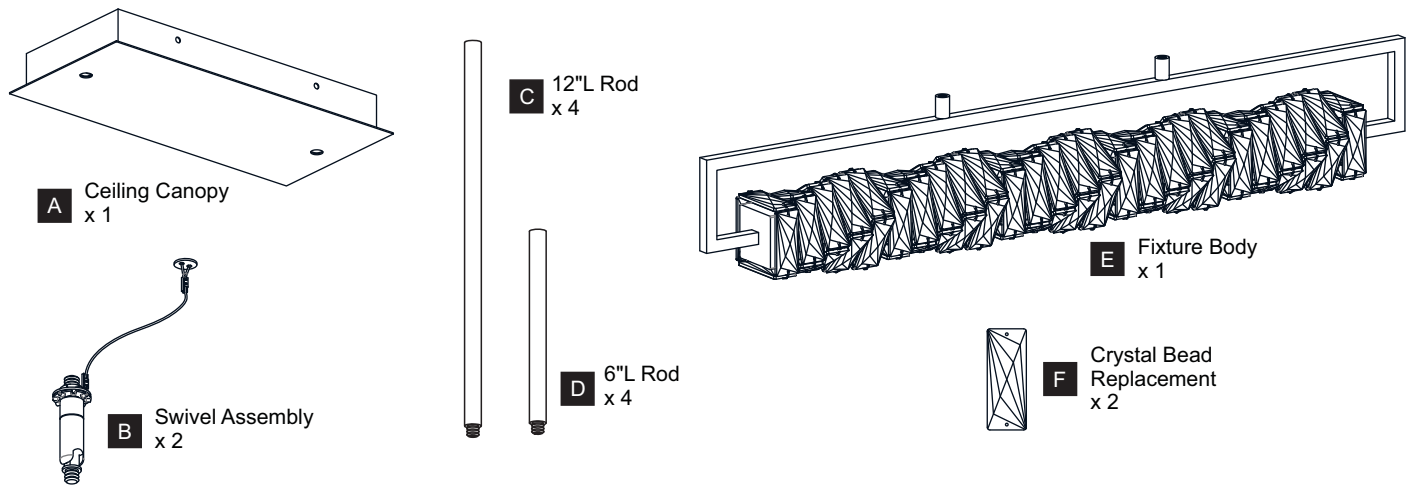
Ratings	120Vac, 60Hz	
	Model No.	Wattage
	PCKLA137C	30W

CARE AND MAINTENANCE

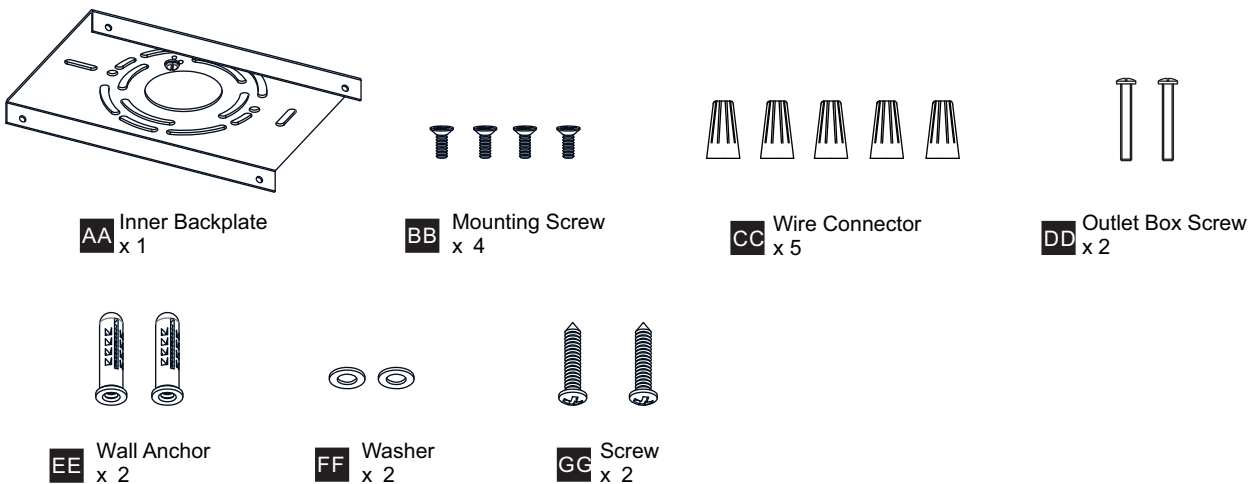
- Wipe clean using soft, dry cloth or static duster. Always avoid using harsh chemicals and abrasives to clean fixture as they may damage the finish.

If you need further assistance call Quozel Customer Care at 1-800-645-3184 (9:00am - 5:00pm EST), or visit us on-line at www.quezel.com.

PACKAGE CONTENTS



MOUNTING HARDWARE



INSTALLATION

1 Install Rods

Optional Rods:
 8 Feet Ceiling:
 (2) 12"L Rods.
 9 Feet Ceiling:
 (2) 6"L Rods + (2) 12"L Rods.

2 Separate Swivel Assembly

3 Install Swivels and Ceiling Canopy to Upper Rods

For angled ceilings,
Swivels opening towards wall.

* Make sure two swivels opening are in the same direction while assembling.

4 Connect Fixture Wires to Driver

Red wire from driver identified with label "LED +" Red wire from fixture identified with label "LED +"

Yellow wire from driver identified with label "LED -" Black wire from fixture identified with label "LED -"

5 Install Inner Backplate

Outlet Box

1/4" Hole

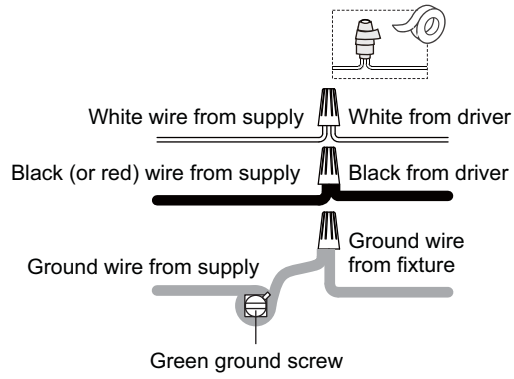
6 Install Lanyards

Button Stop

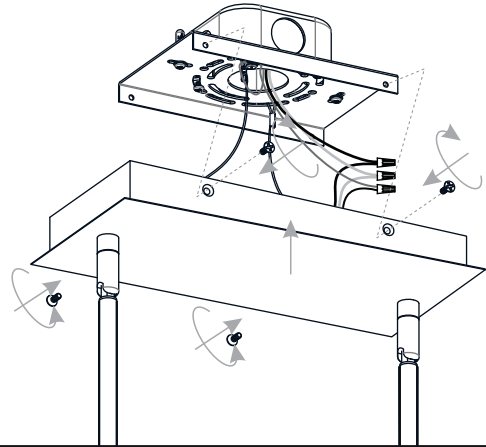
Lanyard

INSTALLATION

7 Wiring



8 Install Ceiling Canopy to Crossbar Assembly



Your installation is now complete! Restore electricity and save this sheet for future reference.