

Please go to www.quoizel.com for product cleaning tips. Go to the **Care + Maintenance** selection.

Tools Required: Flathead screwdriver, Phillips screwdriver, pliers, wire cutters, wire strippers, electrical tape, safety glasses.

Light Source: Integrated 32W LED

Compatible Dimmer Switches: Lutron AYCL-153P or Lutron DVCL-153P.

Estimated Assembly Time: 20-30 minutes

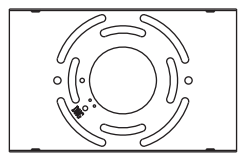
Preparation: Identify and inspect all parts before beginning installation. Check package content list and diagrams below to be sure all parts are present. If any parts are missing or damaged, do not attempt to assemble, install, or operate the fixture. Contact customer service for replacement parts.

⚠ Warnings and Cautions

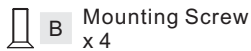
Turn off electricity at circuit breaker or main fuse box before installation. Consult a licensed electrician if in doubt.

These instructions are provided for your safety. It is very important you read them completely before installing the fixture. We strongly recommend that a licensed, professional electrician perform the installation.

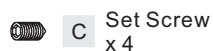
Package Contents



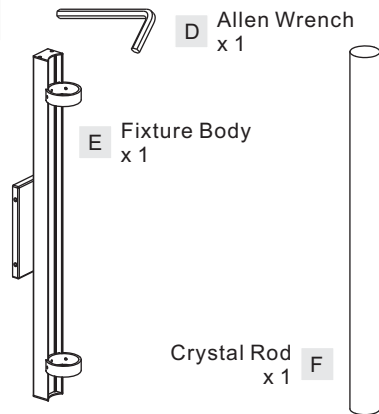
A Inner Backplate
x 1



B Mounting Screw
x 4



C Set Screw
x 4



D Allen Wrench
x 1

E Fixture Body
x 1

Crystal Rod
x 1 **F**

(Step 2 Continued)

Green Ground Screw facing you. Secure it with Outlet Box Screws (not included). Tighten until snug.

B. Refer to Step 3 for wiring connections.

C. Attach the backplate of the Fixture Body (E) over the Inner Backplate (A) and secure with Mounting Screws (B). Tighten until snug with screwdrivers.

STEP 3 - Wire Connections

A. Use standard wire connectors (not included) to make all wire connections. Twist connectors until wires are tightly joined together. Wrap each connection with approved electrical tape and carefully stuff all the connected wires between Inner Backplate (A) and Fixture Body (E).

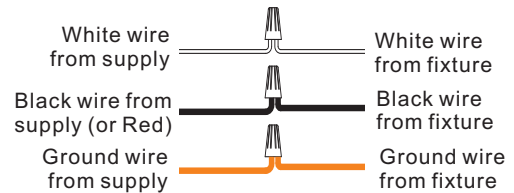


Figure 3

Your fixture is now assembled and ready to use. Enjoy!

STEP 1 - Install Crystal Rod

A. Slip the Crystal Rod (F) into the Holders on the Fixture Body (E). Move the Crystal Rod (F) to proper location. By using the Allen Wrench (D), thread Set Screws (C) into Holders and tighten until snug to secure the Crystal Rod (F) properly.

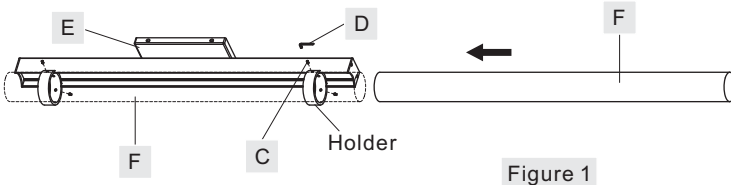


Figure 1

STEP 2 - Install Inner Backplate and Fixture Body

A. Pass the supply wires and ground wire through the Inner Backplate (A). Attach the Inner Backplate (A) to Outlet Box with the head of

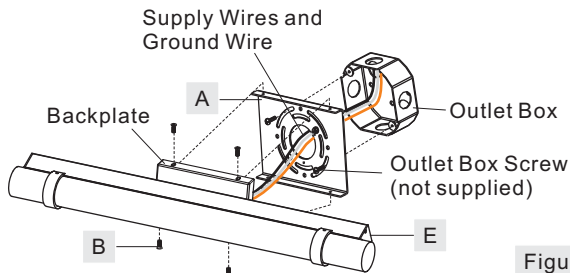
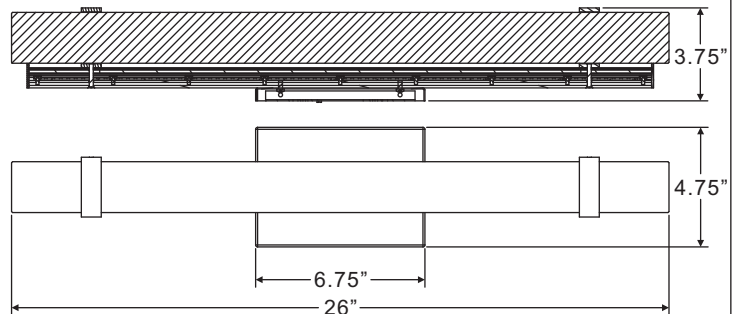
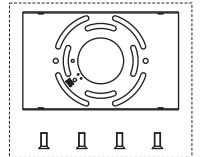


Figure 2

PCBC8526C
FINISH: POLISHED CHROME



NOTE: ALL DIMENSIONS ARE ROUNDED UP TO THE NEAREST 1/4"

Thank you for purchasing a Quoizel product.
Need assistance with parts or assembly? Call Quoizel customer service at 1-800-645-3184
or visit us on-line at www.quoizel.com