

Pablo®

SWELL CHANDELIER

120V ASSEMBLY & INSTALLATION INSTRUCTIONS

INFO@PABLODESIGNS.COM
888 MARIN STREET
SAN FRANCISCO, CA
94124

PABLODESIGNS.COM

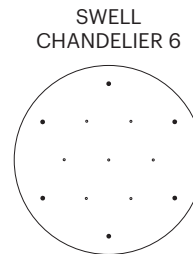
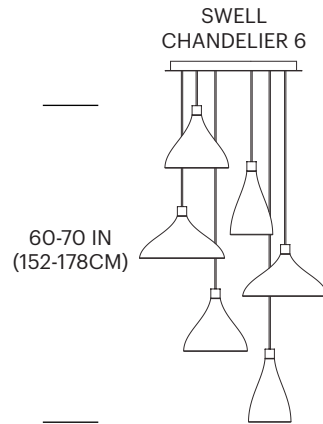
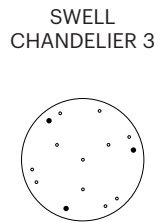
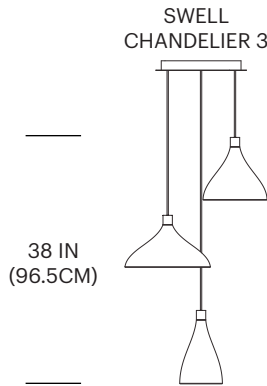
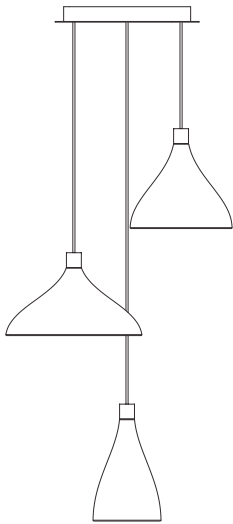


SWELL CHANDELIER

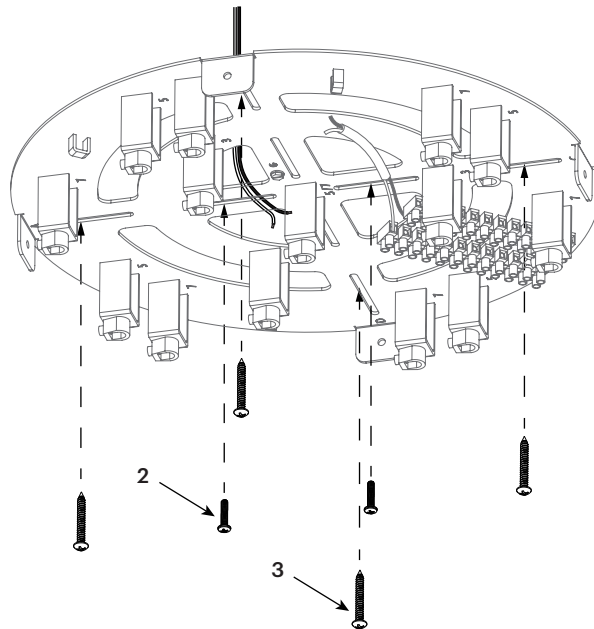
IMPORTANT: WE RECOMMEND FIXTURE BE INSTALLED BY AN ELECTRICIAN. SWELL CHANDELIER MUST BE SECURELY ANCHORED TO 150LBS RATED JUNCTION BOX OR MOUNTED TO CEILING STUDS.

SUGGESTED HANGING CONFIGURATIONS

1. DETERMINE APPROPRIATE HEIGHT ABOVE SURFACE FOR LOWEST LAMP
2. SPACE EACH LAMP 3.5 INCHES (9CM) ABOVE THE PREVIOUS LAMP
3. MOVE UPWARDS IN A SPIRAL PATTERN



- 1 ROUTE BUILDING WIRING THROUGH MOUNTING PLATE



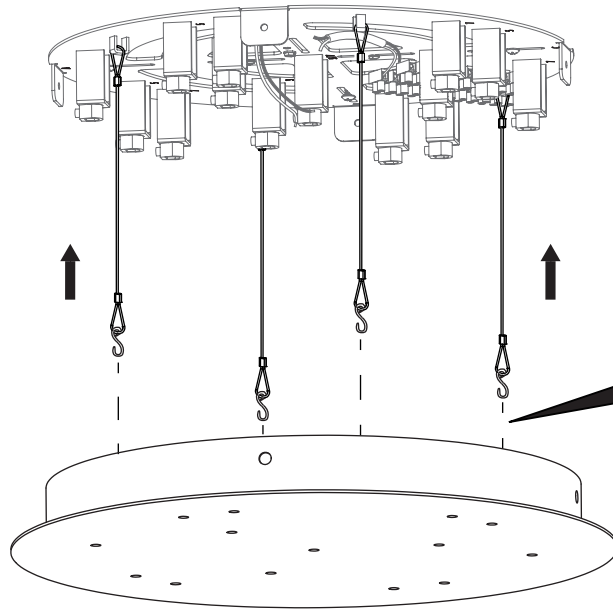
- 2 ATTACH PLATE TO JUNCTION BOX WITH PROVIDED JUNCTION BOX MACHINE SCREWS

- 3 ANCHOR PLATE INTO CEILING STUDS WITH PROVIDED WOOD SCREWS IF POSSIBLE. IF NOT, USE PROVIDED CEILING ANCHORS AND WOOD SCREWS TO SECURE PLATE TO CEILING

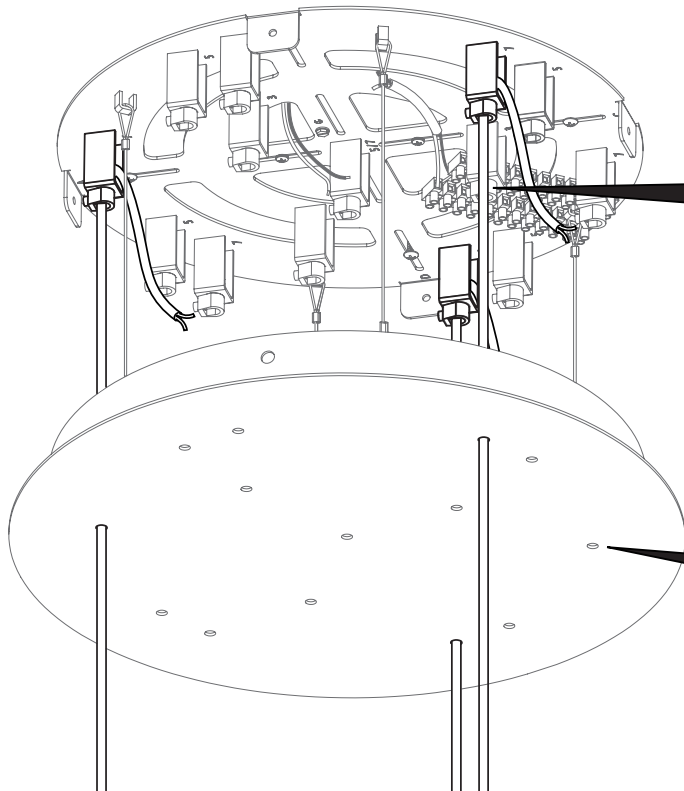
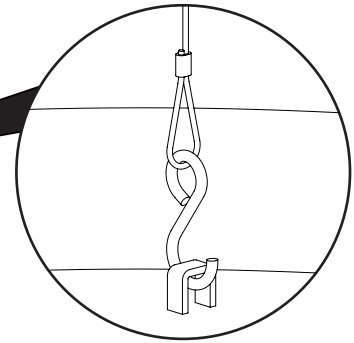
NOTE: INSTALLATION REQUIRES STANDARD PHILLIPS HEAD SCREW DRIVER AND #2 FLAT HEAD SCREW DRIVER

SWELL CHANDELIER

- 4** ALIGN HOLES ON MOUNTING PLATE WITH CORRESPONDING HOLES ON CANOPY COVER



- 5** ATTACH CABLE HOOKS TO CABLE MOUNTS ON CANOPY COVER TO SUPPORT CANOPY COVER DURING INSTALLATION. CABLE HOOKS MUST REMAIN ATTACHED TO CANOPY COVER TO ENSURE SAFE INSTALLATION



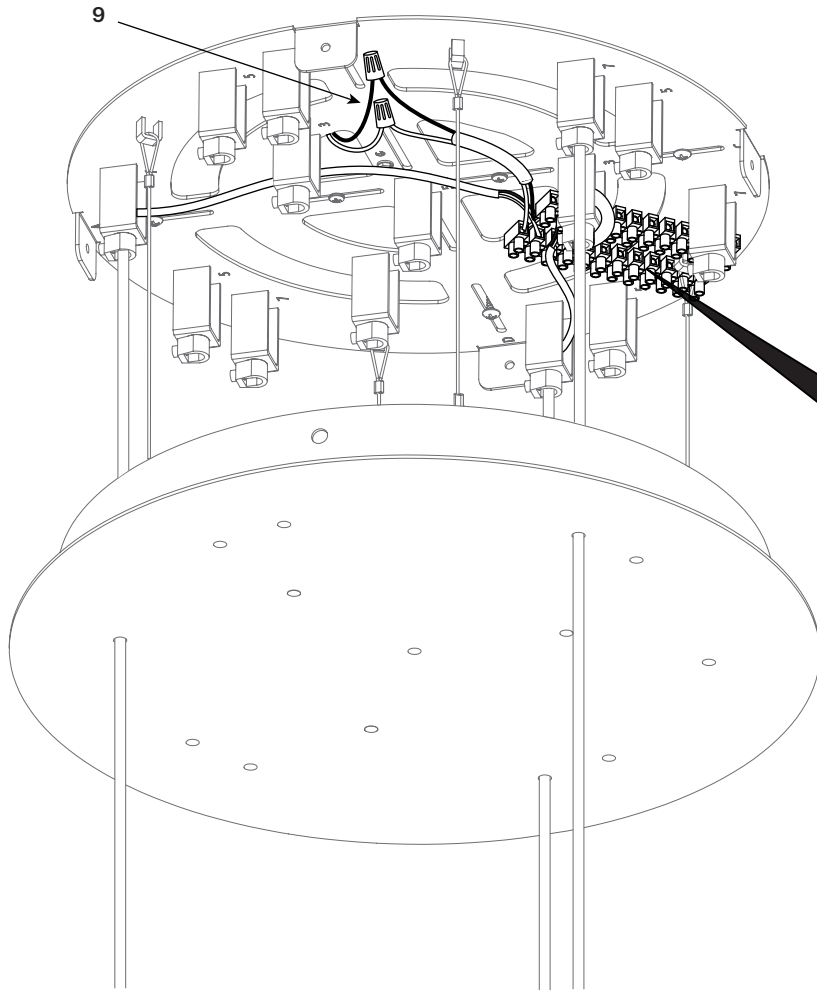
- 6** USING THE SUGGESTED HANGING CONFIGURATION AS A GUIDE, FEED PENDANT CORDS THROUGH ASSIGNED HOLES IN CANOPY COVER AND STRAIN RELIEFS

- 7** PULL PENDANTS TO DESIRED HEIGHT REFERENCING SUGGESTED HANGING CONFIGURATIONS. USE #2 FLAT HEAD SCREW DRIVER TO SET STRAIN RELIEFS

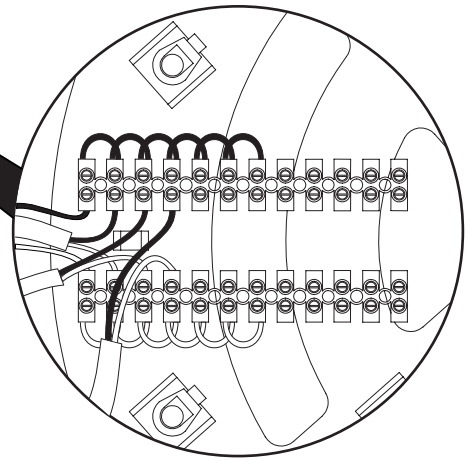
- 8** PRESS RUBBER PLUGS INTO UNUSED HOLES FROM INSIDE OF CANOPY COVER

NOTE: INSTALLATION SHOWN IS FOR SWELL CHANDELIER 3. FOR SWELL CHANDELIER 6, FOLLOW THE SAME WIRING PROCESS USING THE HOLE PLACEMENT OUTLINED IN SUGGESTED HANGING CONFIGURATIONS

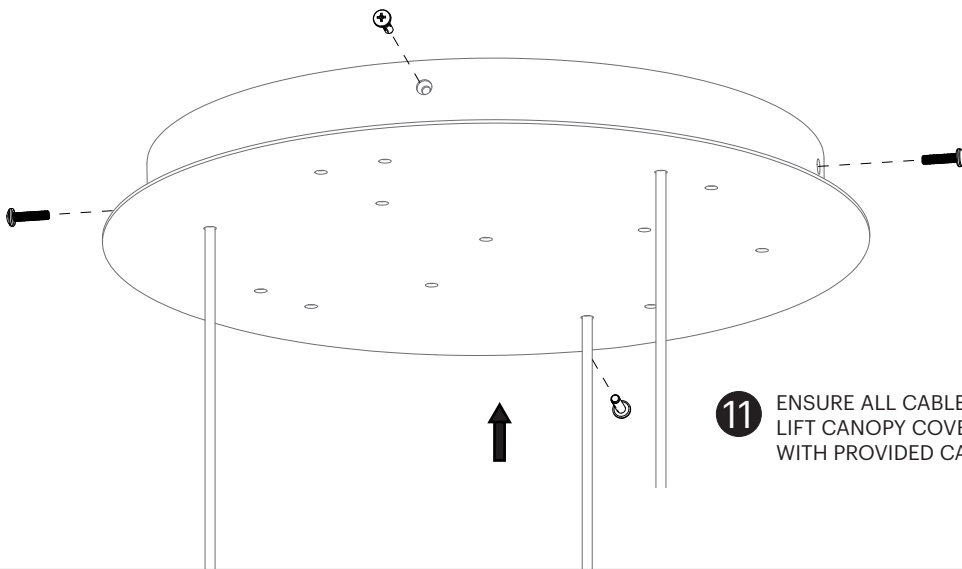
SWELL CHANDELIER



9 CUT CORDS TO REACH 12-PORT TERMINAL BLOCKS, ALLOWING FOR 3" OF EXTRA CORD PAST TERMINAL BLOCKS. STRIP CORDS SO LEAD WIRES ARE EXPOSED, THEN WIRE CORDS TO TERMINAL BLOCKS AS SHOWN AND SECURE WITH #2 FLAT HEAD SCREW DRIVER



10 CONNECT BUILDING WIRING TO LEAD WIRE USING PROVIDED WIRE NUTS



11 ENSURE ALL CABLES AND CORDS ARE TUCKED WITHIN CANOPY COVER. LIFT CANOPY COVER UP TO CEILING AND SECURE TO MOUNTING PLATE WITH PROVIDED CANOPY COVER MACHINE SCREWS