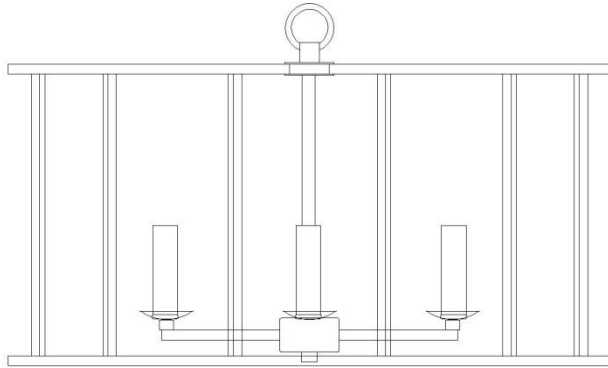




PRODUCT NAME: Helix 4 Light Chandelier  
ITEM NUMBER: 24736BZF

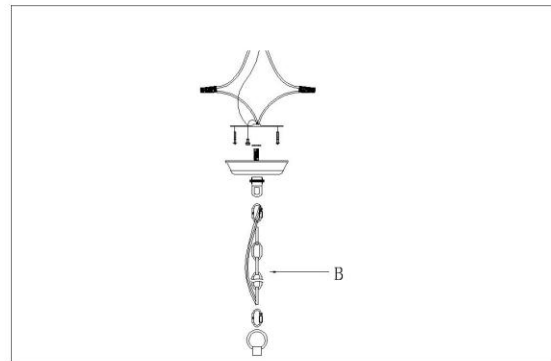
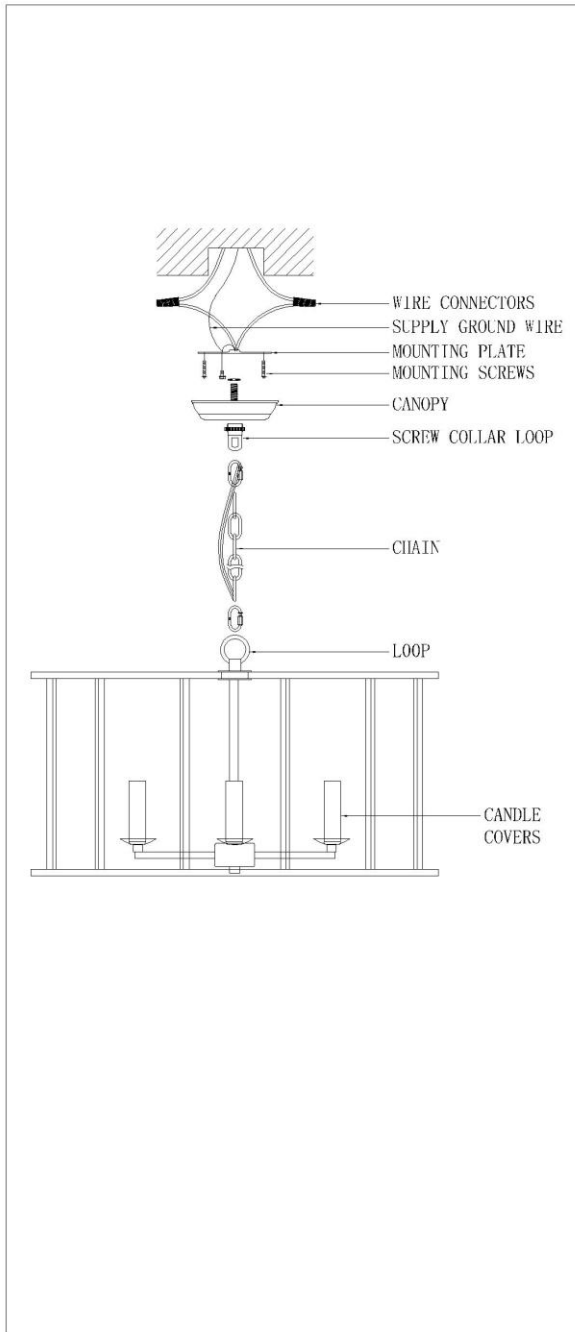
Please consult a qualified electrician for hanging fixture and wiring.



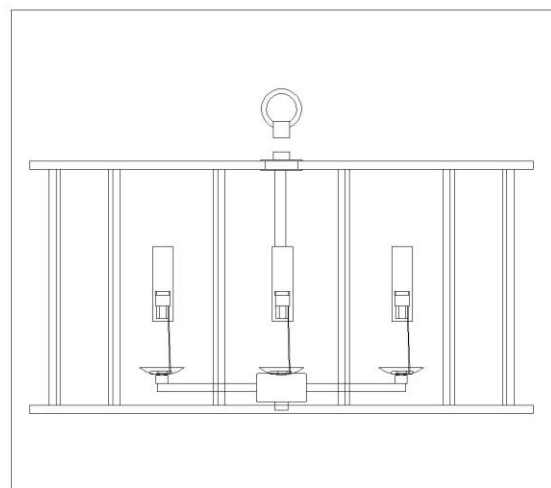
Bulb (not included): 4\*60w E12 Bulbs

**IMPORTANT:** Turn off the power at the main fuse or circuit breaker box before starting installation

**Locate all hardware & components before discarding packaging**



1. Remove mounting bracket from fixture and install to electrical box.
2. Attach appropriate amount of chain to loop to achieve desired mounting height. Thread wire through every 3rd loop of chain.
3. Remove screw ring from collar loop and slide down chain. Place canopy onto chain. Install nipple and cross bar into top of chain loop.
4. Wire fixture to wires in outlet box. Copper wire is for Ground.
5. Pull canopy through screw ring up chain to ceiling and tighten securely.



6. Slide candle covers provided over the sockets.
7. Install 4 max 60W candelabra bulbs.