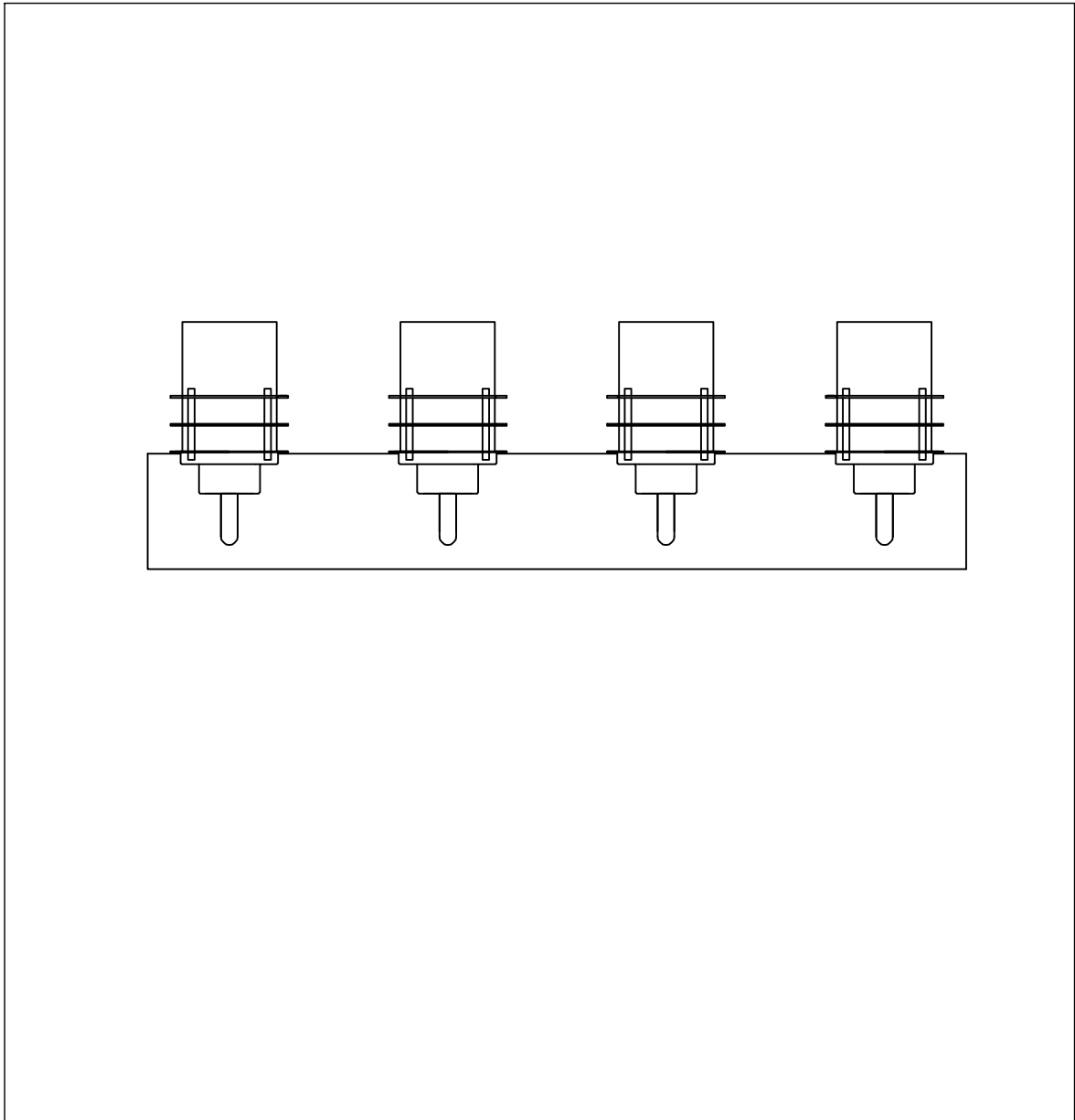




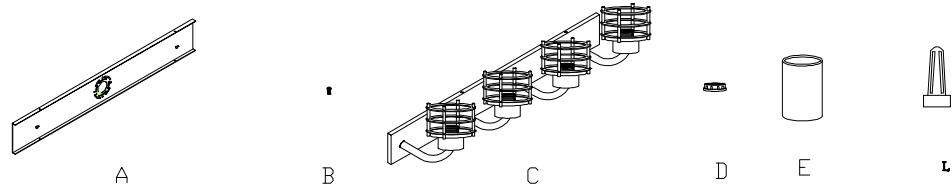
PRODUCT NAME: Tier vanity
ITEM NUMBER: 2131/2132/2133/2134

Please consult your electrician for hanging fixture and wiring.

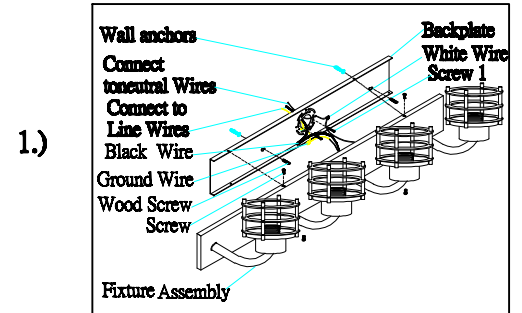
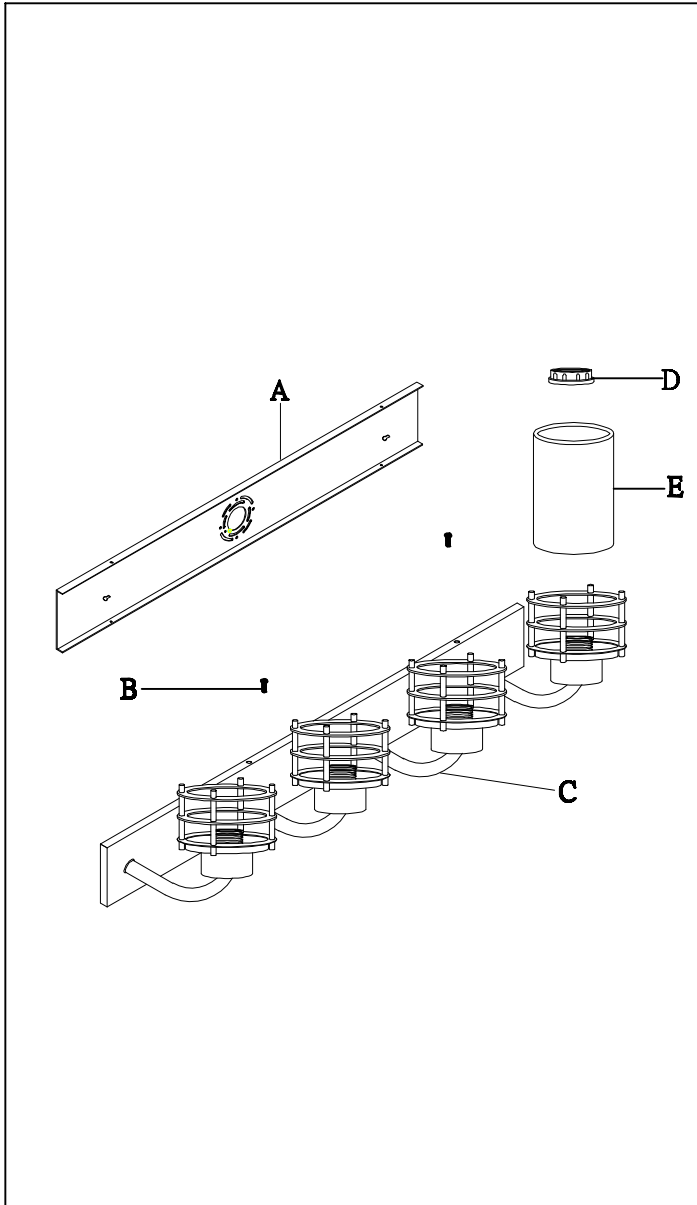


Bulb(not included): 60 Watt Candelabra Base Bulbs

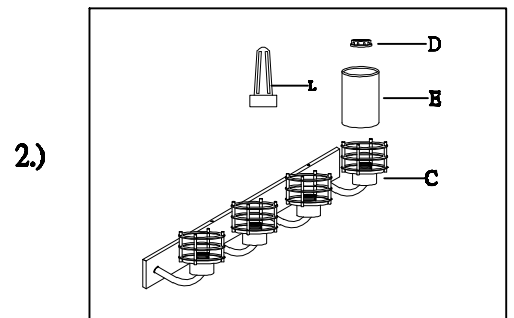
IMPORTANT: Turn off the power at the main fuse or circuit breaker box before starting installation



Locate all hardware & components before discarding packaging



1.) Remove mounting bracket (A) from fixture (C) and install it to electrical box. Wire fixture to wires in outlet box. Copper wire is for ground. Install fixture to back-plate and tighten screws (B) so that fixture meets the wall.



2.) Attach glass (E) to fixture (C) and use screw ring (D) to secure. Noted: fix the screw ring, glass and bulb by Wrench (L)

Cleaning & Care:

Clean with soft cloth and a mild detergent. Do not use abrasive cleaner.