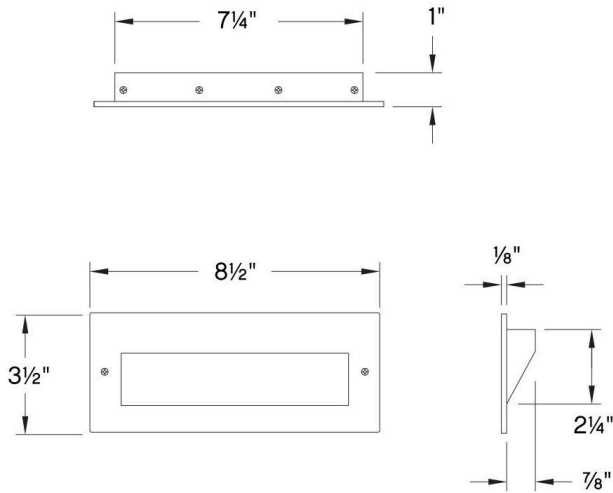


TAPER

1565MBS

STEP 12V WIDE HORIZONTAL

Seamlessly blending into architectural elements inside or outside the home, the Taper series beautifully illuminates stairs, walkways, or patio spaces to enhance any lighting experience. Part of the Sparta Series, Taper Step Lights with Matte Black Stainless finishes feature a durable 316 stainless steel construction, offering superior strength in harsh environments. A recessed mount and integrated 12v LEDs can be easily integrated into masonry or wooden structures, providing a practical, low-voltage solution for any setting.



DETAILS	
FINISH:	Matte Black Stainless
MATERIAL:	Stainless Steel
GLASS:	Etched Lens
DIMMABLE:	YES - WITH MLV ON TRANSFORMER PRIMARY

DIMENSIONS	
WIDTH:	8.5"
HEIGHT:	3.5"
DEPTH:	1
WEIGHT:	2lb

LIGHT SOURCE	
LIGHT SOURCE:	Integrated LED
LED NAME:	ETP25
WATTAGE:	2.50w LED *Included
VOLTAGE:	12v
VOLT AMPS:	3
LUMENS:	300
CRI:	90
INCANDESCENT EQUIVALENCY:	1 x 25w
DIMMABLE:	YES - WITH MLV ON TRANSFORMER PRIMARY
TRANSFORMER REQUIRED:	Yes

MOUNTING	
LEAD WIRE:	1 X 60"

SHIPPING	
CARTON LENGTH:	9.5
CARTON WIDTH:	5.5
CARTON HEIGHT:	3
CARTON WEIGHT:	2.2



PRODUCT DETAILS:

- Wet Rated
- ADA compliant design provides added accessibility and maximum clearance
- A wiring kit is supplied
- Easy and efficient installation: fewer fixtures illuminate a more extensive area, offering a diverse range of mounting opportunities
- The Hinkley Home Automation App allows you to control your landscape lights anytime, anywhere. You can turn dimmers on/off and adjust sliding brightness settings remotely.
- LED integrated components carry a 10-year limited warranty
- This design is made with stainless steel for superior strength and performance
- Recessed mount

HINKLEY

HINKLEY
33000 Pin Oak Parkway
Avon Lake, OH 44012

PHONE: (440) 653-5500
Toll Free: 1 (800) 446-5539

hinkley.com