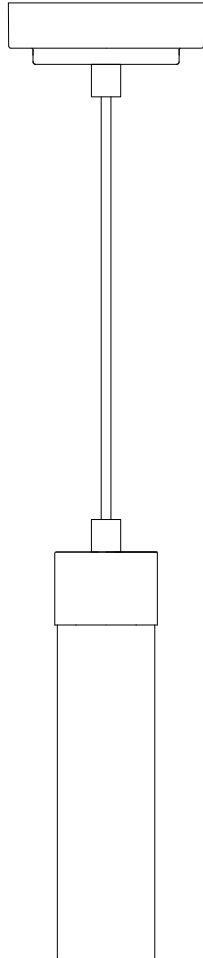


PRODUCT NAME: Cilandro LED 1-Light Pendant
ITEM NUMBER: E63109-11SN

Please consult your electrician for hanging fixture and wiring.



The fixture is designed to dim with a standard Triac forward phase dimmer. Dimming levels will vary by dimmer.

Below is a list of recommended dimmers:

Lutron MACL-153M
Lutron DVL-153P
Lutron SCL-153P
Leviton IPL06-10Z
Leviton 6674-POW

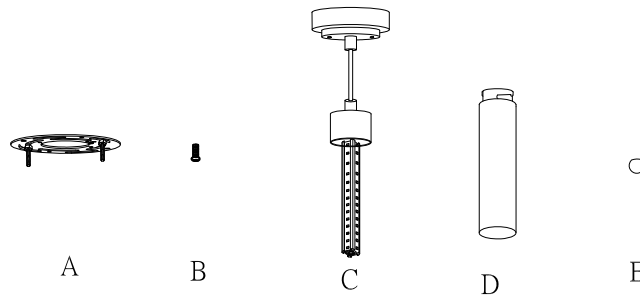
Due to the inrush current wattage should not exceed 150 watts of product for a 600 watt dimmer.

WARNING: Wires need to be connected to driver found in canopy and should not be connected directly to power source or a short may occur

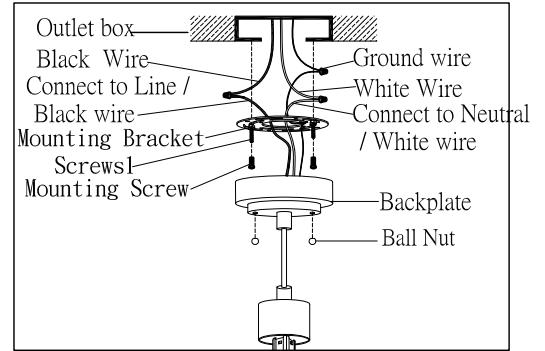
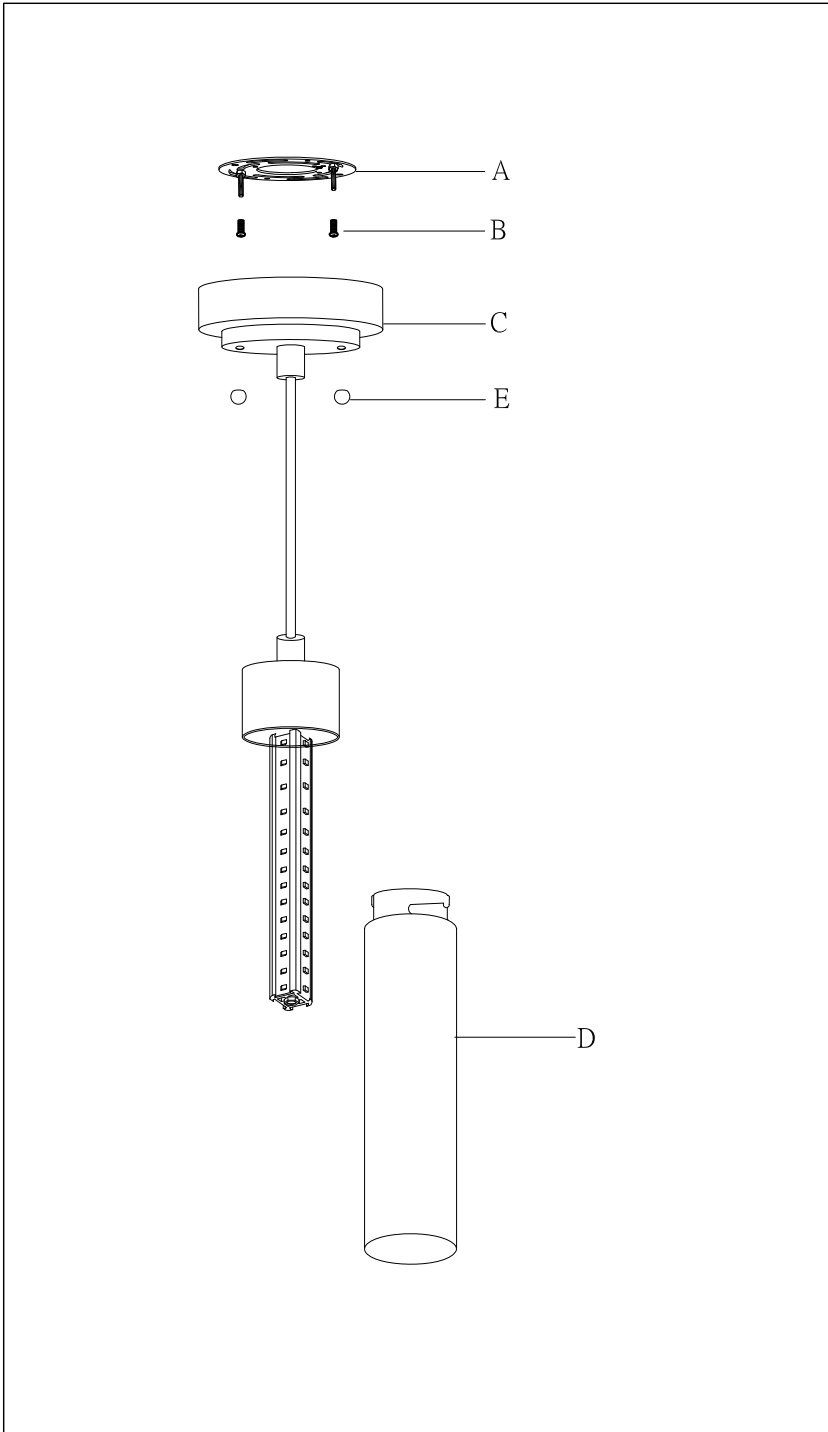
Bulb(integrated): 9.6W LEDs

**PRODUCTS ARE NOT INTENDED
FOR COMMERCIAL USE.**

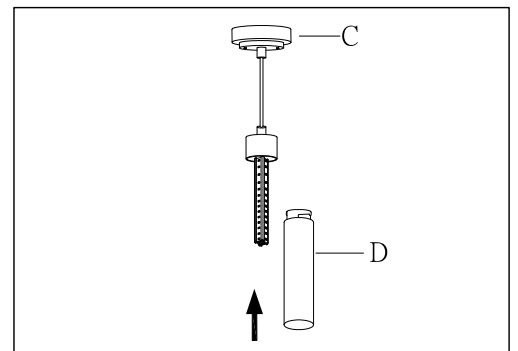
IMPORTANT: Turn off the power at the main fuse or circuit breaker box before starting installation



Locate all hardware & components before discarding packaging



Step.1: Remove mounting bracket (A) from fixture (C) and install to electrical box using screws provided (B). Wire fixture to wires in outlet box. Copper wire is for Ground.



Step.2: Adjust the wire length to desired mounting height. Turn the glass (D) onto cup to secure.

Cleaning & Care:

Clean with soft cloth and a mild detergent.
Do not use abrasive cleaner.