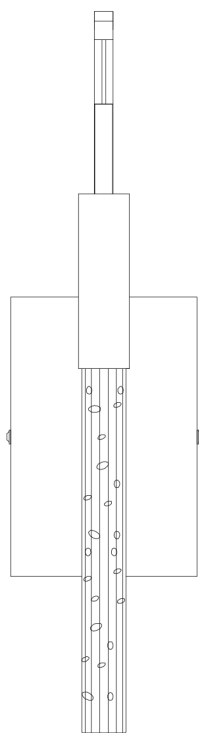


PRODUCT NAME: Scepter 1-Light Wall Sconce
ITEM NUMBER: E32770

Please consult your electrician for hanging fixture and wiring.



The fixture is designed to dim with a standard Triac forward phase dimmer. Dimming levels will vary by dimmer.

Below is a list of recommended dimmers:

- Lutron MACL-153M
- Lutron DVL-153P
- Lutron SCL-153P
- Leviton IPL06-10Z
- Leviton 6674-POW

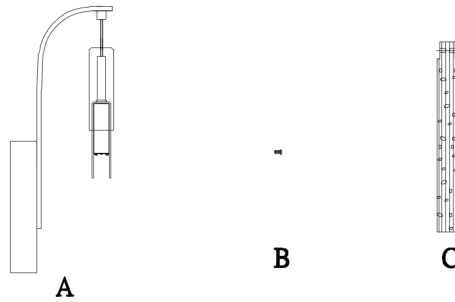
Due to inrush current wattage should not exceed 150 watts of product for a 600 watt dimmer.

WARNING: Wires need to be connected to driver found in canopy and should not connect directly to power source or a short might occur.

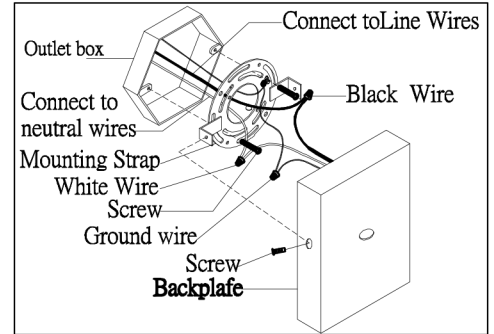
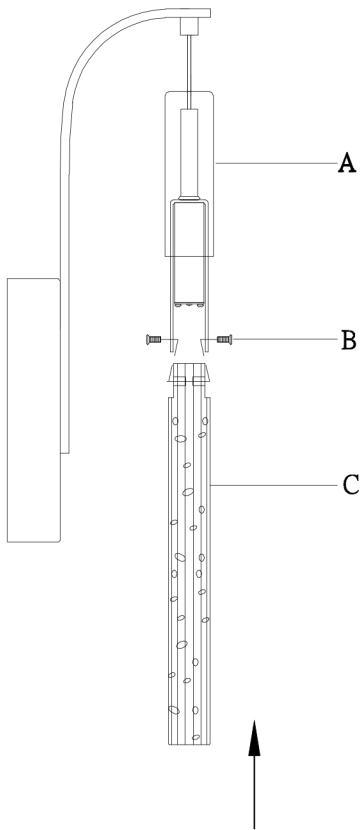
1-7.5W LED

PRODUCTS ARE NOT INTENDED FOR COMMERCIAL USE.

IMPORTANT: Turn off the power at the main fuse or circuit breaker box before starting installation

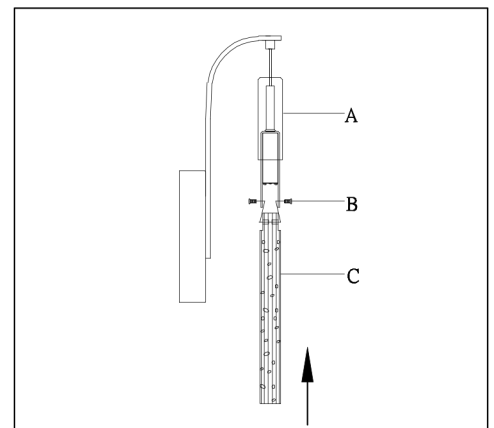


Locate all hardware & components before discarding packaging



1.)

Step.1: Remove mounting bracket from fixture and install to electrical box. Then wire fixture to wires in outlet box. Copper wire is for Ground. Attach back plate to ceiling and tighten screws on the sides until fixture meets wall.



2.)

Step.2: Attach Glass (C) using set screws (B).

Cleaning & Care:

Clean with soft cloth and a mild detergent.
Do not use abrasive cleaner.