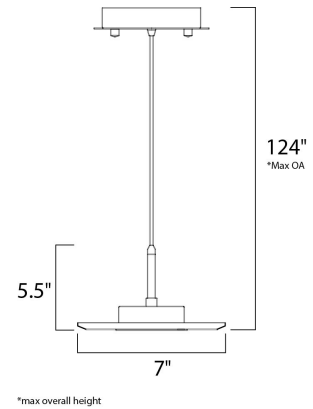




**E20263-10
Hagen LED Pendant**

Product Specifications for E20263-10

| | |
|-----------|-----------|
| Job Name: | Job Type: |
| Quantity: | Comments: |



Finish
Polished Chrome

Glass/Shade
Clear

Product Category
Mini Pendant

Lamping

| | |
|----------------------------|---------------|
| Number of Bulb(s) | 3 |
| Light Type | LED |
| Bulb Type | LED |
| Max Bulb Wattage | 1 |
| Max Fixture Wattage | 3 |
| Rated Life | ±50,000 Hours |
| Rated Lumens | ±240 |
| Color Temp | ±3,000 K |
| Bulb(s) Included | Integrated |
| Light Up/Down | N/A |
| Beam Spread | N/A |
| CRI | N/A |
| Photo Cell Included | N/A |
| Ballast/Driver/Transformer | Yes |
| Dimmable | No |

Measurements

| | |
|--------------------|------------|
| Width | 7.00" |
| Height | 5.50" |
| Length | N/A |
| Extension | N/A |
| Back Plate Width | N/A |
| Back Plate Height | N/A |
| HCO | N/A |
| Min Overall Height | 16.00" |
| Max Overall Height | 124.00" |
| Hanging Weight | 4.30 lb(s) |
| Height Adjustable | N/A |
| Slope | 120° |
| Chain Length | N/A |
| Wire Length | 120.00" |
| Canopy Width | N/A |
| Canopy Height | N/A |
| Canopy Length | N/A |

Shipping

| | |
|--------------------|-------------|
| Carton Weight | 5.06 lb(s) |
| Carton Width | 6.69" |
| Carton Height | 9.65" |
| Carton Length | 9.45" |
| Carton Cubic Feet | N/A |
| Master Pack | 6 |
| Master Pack Weight | 34.16 lb(s) |
| Master Pack Width | 10.24" |
| Master Pack Height | 20.67" |
| Master Pack Length | 21.50" |
| Master Cubic Feet | N/A |
| UPS Shippable | Yes |

Certification

| | |
|---------------|-----|
| Safety Rating | Dry |
| Energy Star | No |
| CA Title 24 | No |
| CA Title 20 | No |
| ADA | No |

Other

| | |
|----------|--------------|
| UPC Code | 845094018070 |
| Material | N/A |

Equivalents

| | |
|--------------------|-------|
| Incandescent Watts | 21.82 |
| Fluorescent Watts | 4.8 |

ET2 Contemporary Lighting and all designs, logos and images © 2015 ET2 Contemporary Lighting. All Rights Reserved. ET2 Contemporary Lighting reserves the right, at any time, to make changes in the design and/or construction of the product including the discontinuation of product without prior notice. Color may vary from what is pictured above due to limitations inherent to photographic processes. Always consult a qualified, licensed electrician before installation of any product weighing 35 pounds or more. We recommend that a qualified, licensed electrician do the installation. Always install to a mechanically sound structure.